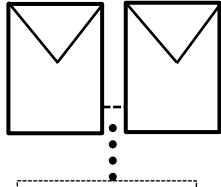


**Module Specifications**

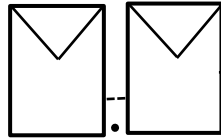
Model:  
 Rated Power (W):  
 Voltage (Vdc):  
Put (x) if applicable  
 CSA / cUL Certified:  
 STC Datasheets Provided:

No. of module(s)  
 in series: \_\_\_\_\_



n parallel: \_\_\_\_\_

No. of module(s)  
 in series: \_\_\_\_\_



n parallel: \_\_\_\_\_

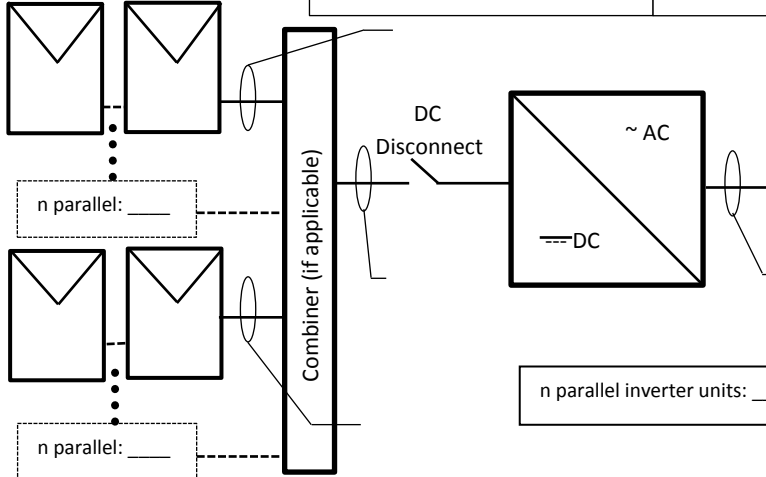
**Inverter Specifications**

Inverter Make:  
 Inverter Model:  
 Nameplate AC Power (W):  
 Nominal Voltage (Vac):  
 No. of Phases:

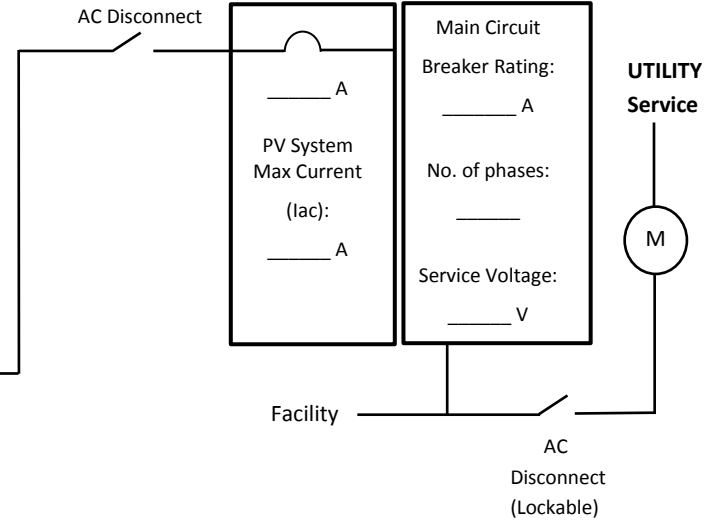
Put (x) if inverter is equipped with Islanding Detection

25 - Synchronism Check:  
 27 - Under- Voltage:  
 59 - Over-Voltage:  
 81O - Over-Frequency:  
 81U - Under-Frequency:

n parallel inverter units: \_\_\_\_\_



**Distribution Panel**



Installation Details: (paralleled inverter models if different from above, transformers, panels etc.)

**Total PV System Output Capacity**

DC Power (kW):  
 AC Power (kW):  
 Total PV System Isc (A):



**Notes:**

- \* Place **N/A** to fillable boxes if not applicable
- \* This SLD is a **template only** that can be used for **pre-approval process**. Modifications maybe required to represent your installation.
- \* Use another sheet as needed for multiple roofs / installations
- \* The customer is responsible for ensuring that all equipment, installations and documentation meet Manitoba electrical codes & standards, as well as all MH distribution interconnection and jurisdictional inspection requirements.

Installer:

Address:

SEP #

- DG Single Line Diagram

Project Address:

Owner:

SHT