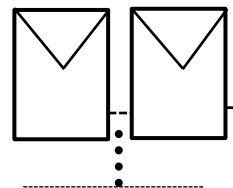


PV Module
 Model:
 Rated Power (W):
 Voltage (Vdc):
 Isc (Adc):

Individual Installation
 Inverter Make:
 Inverter Model:
 Nameplate AC Power (W):
 Nominal Voltage (Vac):
 Isc (A):
 No. of Phases:

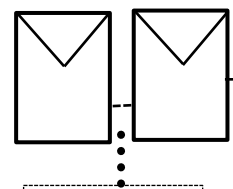
Put (x) if inverter is equipped with Islanding Detection
 25 - Synchronism Check:
 27 - Under- Voltage:
 59 - Over-Voltage:
 81O - Over-Frequency:
 81U - Under-Frequency:

No. of module(s) in series: _____



n parallel: _____

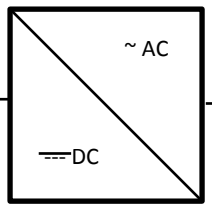
No. of module(s) in series: _____



n parallel: _____

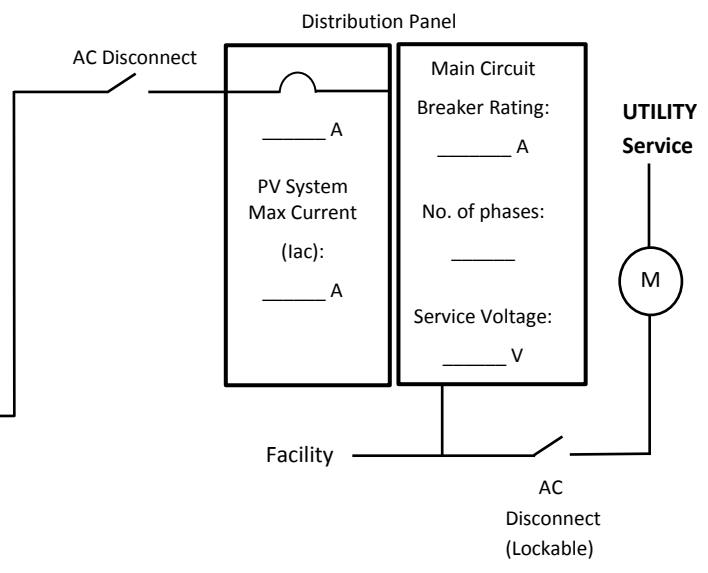
Combiner (if applicable)

DC Disconnect



AC Disconnect

n parallel inverter units: _____
 Combined AC Output Power (W): _____



Installation Details: (paralleled inverter models if different from above, transformers, panels etc.)

Total PV Output Capacity
 DC Power (kW):
 AC Power (kW):
 Total PV System Isc (A):



Notes:
 * Place **N/A** to fillable boxes if not applicable
 * This SLD is a **template only** that can be used for **pre-approval process**. Modifications maybe required to represent your installation.
 * Use another sheet as needed for multiple roofs / installations
 * The customer is responsible for ensuring that all equipment, installations and documentations meet Manitoba electrical codes, standards and Manitoba Hydro Inspections requirements.

Installer:

 Address:

SEP # - DG Single Line Diagram

Project Address: SHT

Owner: