

St. Vital to Letellier Transmission Line

What is it?

Manitoba Hydro is proceeding with the development of a 230-kilovolt (kV) transmission line to improve system reliability and accommodate the growth in demand for electricity in southern Manitoba. The transmission line will originate at the St. Vital Station, located in southeastern Winnipeg and will run south to the Letellier Station, located near Letellier, MB.

The transmission line between the St. Vital and Letellier stations will run through southeastern Manitoba, near Kleefeld in order to accommodate the proposed De Salaberry East Station. This proposed new station is another key part of system improvements to support the growing electricity needs in southeastern Manitoba. We have developed and submitted an environmental assessment for the De Salaberry East Station project to Manitoba Sustainable Development.

Current status

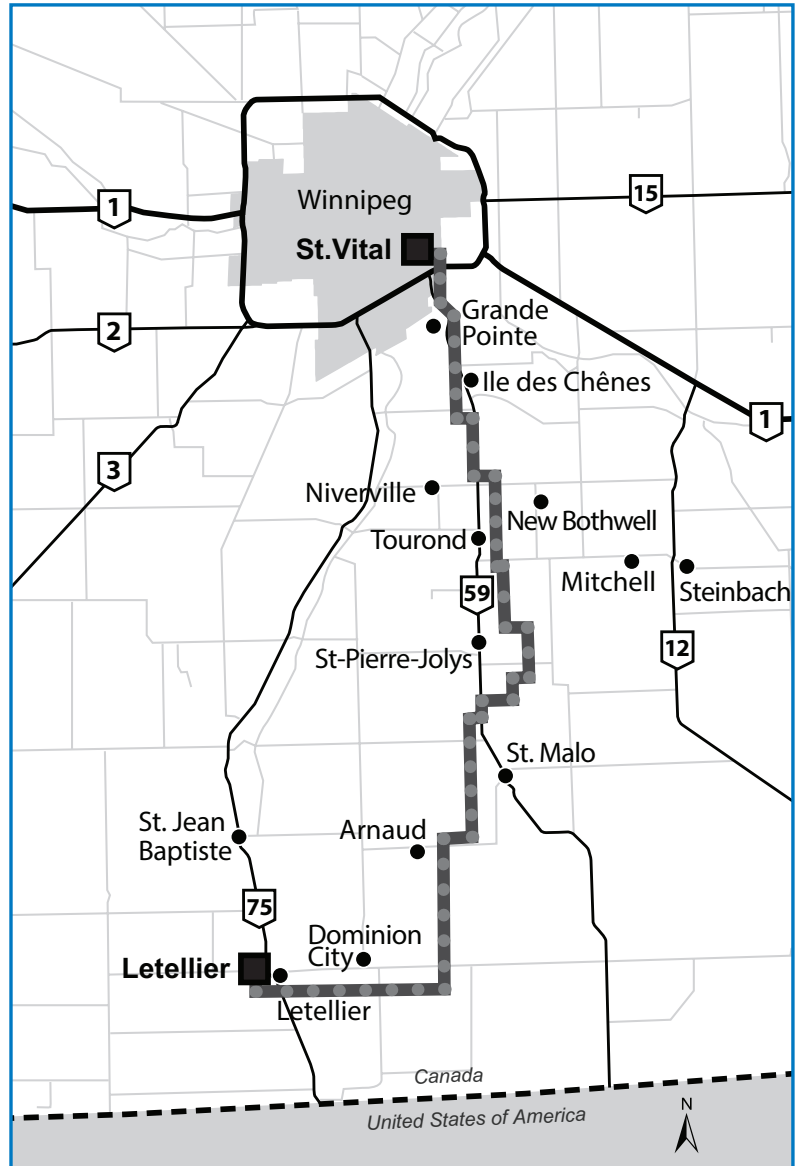
We received an Environment Act Licence from Manitoba Sustainable Development in January of 2017. This licence permits us to begin construction of the project.

Construction is anticipated to begin in 2019.

As we proceed with the Project we will be contacting landowners to work with them directly through the next stages of the project including voluntary easement acquisition.

The preferred route for the St. Vital to Letellier line

The preferred route was determined by considering feedback received throughout the public and Indigenous engagement processes and information supplied by discipline specialists. The final preferred route aimed to address local concerns regarding aerial application, land use, future and current development, proximity to livestock operations and other concerns.



Legend

- Major highways
- - - Canada - U.S. border
- Electrical station
- ▬ Preferred route for the St. Vital to Letellier transmission line

Tower Design

The St. Vital to Letellier Transmission Line towers will primarily be tubular steel H-frame structures. These towers will be located on a 23.75 m (78 ft.) right-of-way when following a road or mile line, or 40 m (131 ft.) when placed in a field. These towers will vary in height up to 27 m (89 ft.), depending on terrain, road and river crossings.

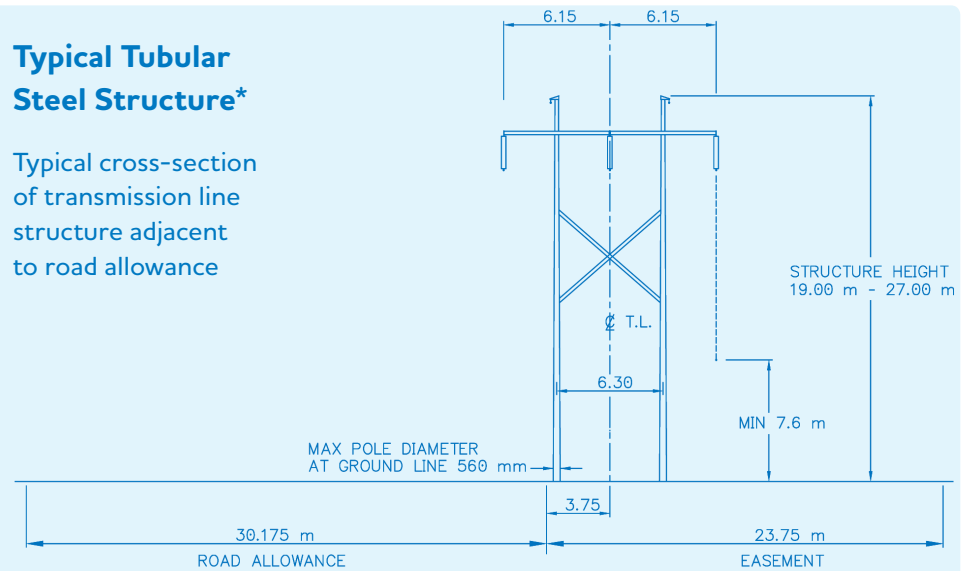
What's next?

As we move forward with the project, we will:

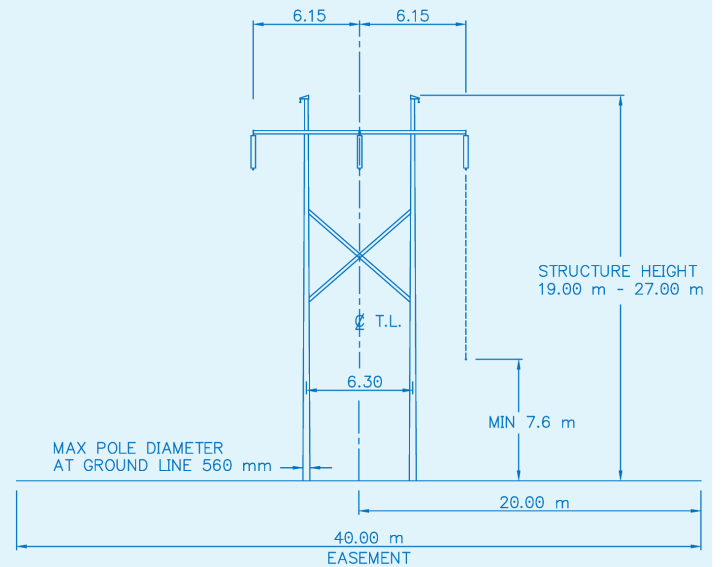
- work directly with affected landowners to address concerns;
- inform interested parties of project time lines and construction activities;
- meet with interested parties to discuss the project;
- discuss potential mitigation measures such as tower placement to lessen potential impacts; and
- address questions and concerns.

Typical Tubular Steel Structure*

Typical cross-section of transmission line structure adjacent to road allowance



Typical cross-section of transmission line structure located on 1/4 section line



* Tower height and design are estimations and are dependent on terrain and final placement of the transmission line.

Contact us

If you have questions or comments about the project you can visit our website at hydro.mb.ca/stvital or contact us directly:

Licensing & Environmental Assessment Department

Toll-free: 1-877-343-1631
In Winnipeg: 204-360-7888
Email: LEAprojects@hydro.mb.ca

